



Connevens.info

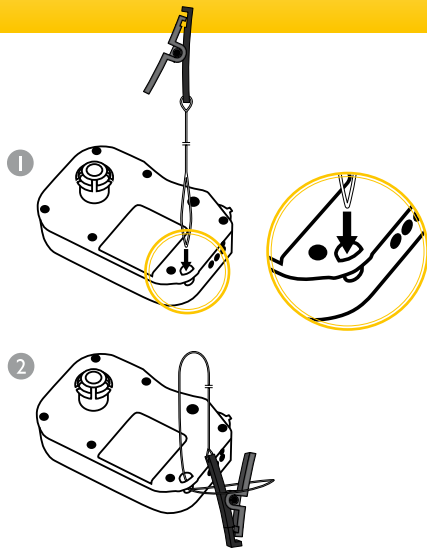
Solutions to improve the quality of life

*Offering you choice
Helping you choose*

This product may be purchased from Connevens Limited
secure online store at www.DeafEquipment.co.uk

DeafEquipment.co.uk





Manufacturer:

Cochlear Bone Anchored Solutions AB
Konstruktionsvägen 14, SE-435 33 Mölnlycke, Sweden
Tel: +46 31 792 44 00 Fax: +46 31 792 46 95

Regional offices:

Cochlear Americas
13059 E. Peakview Avenue, Centennial, CO 80111, USA
Tel: +1 303 790 9010 Fax: +1 303 792 9025

Cochlear AG
European Headquarters
Peter Merian-Weg 4, CH-4052 Basel, Switzerland
Tel: +41 61 205 0404 Fax: +41 61 205 0405

Cochlear Ltd
(ABN 96 002 618 073)
1 University Avenue, Macquarie University, NSW 2109, Australia
Tel: +61 2 9428 6555 Fax: +61 2 9428 6352

www.cochlear.com

Baha, Baha Divino, Baha Intenso and Vistafix are trademarks of Cochlear Bone Anchored Solutions. Cochlear and the elliptical logo are trademarks of Cochlear Limited. © Cochlear Bone Anchored Solutions 2011. All rights reserved. APR11. Printed in Sweden.

E80542F

Cochlear™ Baha® Safety line quick guide

User Manual

Hear now. And always



Cochlear™ Baha® BP100

Cochlear™ Baha® BP110 Power

Baha Divino®

Baha® Compact

